

CFT TERMINAL BOX

MODELS : CFT-1, CFT-2 & CFT-3

1.0 GENERAL FEATURES

- Die cast and aluminium body & cover. Therefore the assembly is rust proof, compact, lightweight and easy to handle.
- Very easy to install with 4 equispaced holes for fixing bolts.
- Combination of 1, 2 & 3 terminals are available using same enclosure.
- Replacement of any terminal is possible.
- For fixing cable gland of external circuit 1 exit can be provided only in CFT-2 model.
- The terminals allow the connection between wiring inside and outside the transformer tank and are designed in such a way to avoid unscrew during assembly or wiring operation allow an easy connection between external and internal measuring circuit of transformer tank.
- Protection: Withstand IP-67.
- Suitable for outdoor application.
- Working Temperature: Standard -10° to +115°C. On request -40° to +120°C can be provided.

2.0 APPLICATION

CFT Terminal Box is used for grounding the cores of an oil filled transformer.

3.0 CONSTRUCTION

An aluminium base is used for housing terminals. The Base has 4 holes of Ø18 mm for mounting on Ø180 PCD.

An O-Ring is provided with suitable groove in the base to make the installation leak proof. Terminals are provided in combination of 1, 2 & 3.

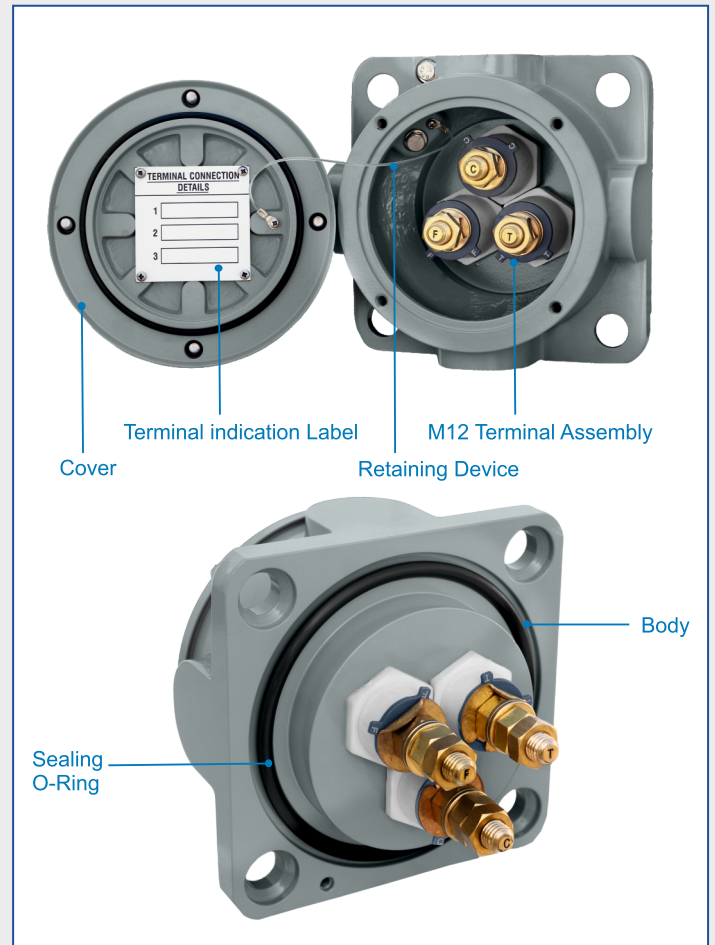
Each terminal is provided with Cap to restrict the axial movement of Terminal. It is possible to replace any Terminal Thus any housing can be used by just replacing faulty Terminal. An Aluminium Cover is provided for the main Body. The Cover is provided with O-Ring for making it leak proof. A nylon lid links cover and housing to avoid any mistake during wiring operation.

4.0 FAULTS & REMEDIES

For any fault, other than replacement of Terminal, the Terminal Box should be returned to Sukrut Electric Co. Pvt. Ltd. for repairs.

5.0 ROUTINE TEST

- Leakage Test: At 2.5 kg/cm² for 1 min for body before assembly & At 2.5 kg/cm² for 1 min Terminal Box after assembly.
- Dielectric Test: At 10 kV for 1 minute between terminal to terminal and terminal and body.
- Visual Inspection: 100% visual inspection is done before and after assembly.



6.0 TEST TYPE

1. IP-67 test is carried out at IDEMI, Mumbai.
2. High voltage test at 10 kV for 1min is carried out at ARAI Pune.
3. Insulation test at 10 kV for 1min is carried out at IDEMI, Mumbai.
4. Oil compatibility test on moulded terminal M12 (PPS), with insulating oil (Transformer oil) of petroleum origin at ERDA, Pune.
5. C4-M Corrosion Resistance test at ARAI, Pune.

7.0 HOW TO ORDER

Select suitable model according to number of terminals & Exits.
Eg: CFT with 3 terminals.

No. of Terminals	No. of Exits
1	0
2	1
3	0

NOTES:

1. CFT with 3 terminal & 0 exits is standard model.
2. Special requirement can be fulfilled on demand.



CORE FRAME TANK TERMINAL BOX

MODEL: CFT WITH 1, 2 & 3 TERMINALS

FIG 1. CFT TERMINAL BOX

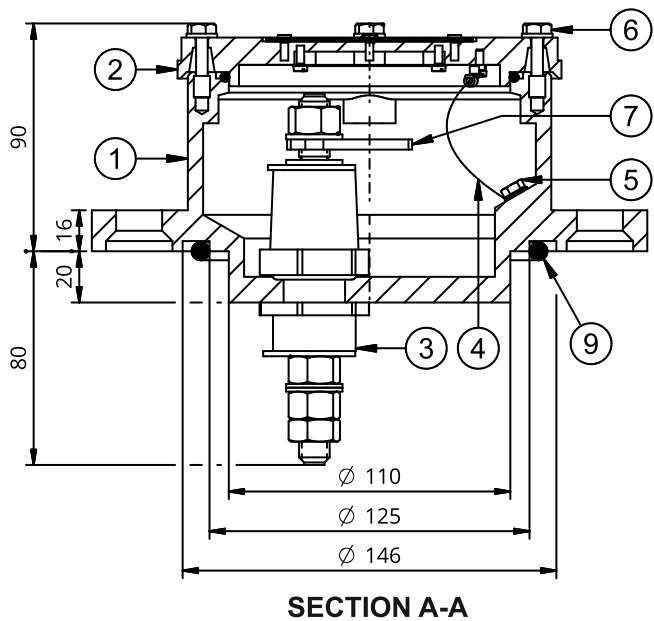
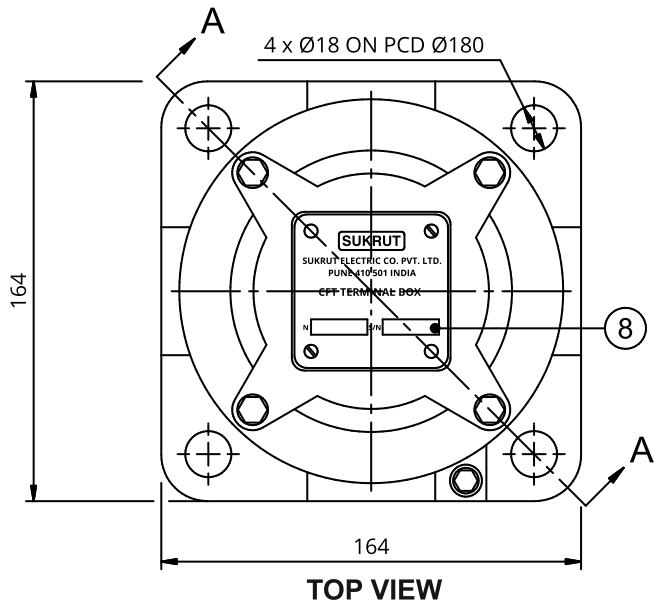
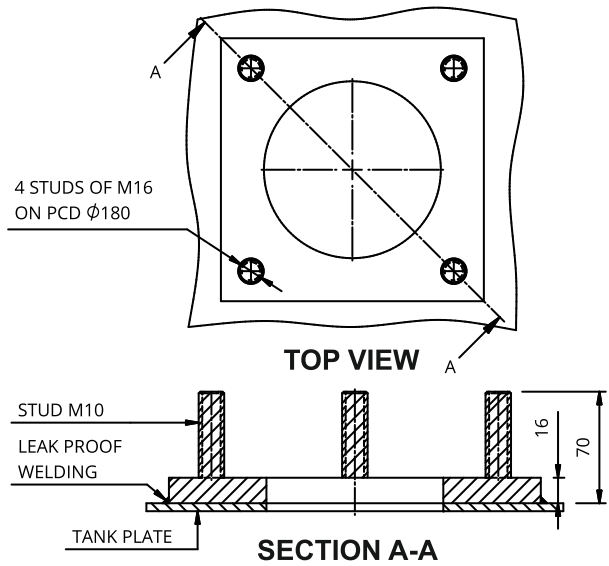


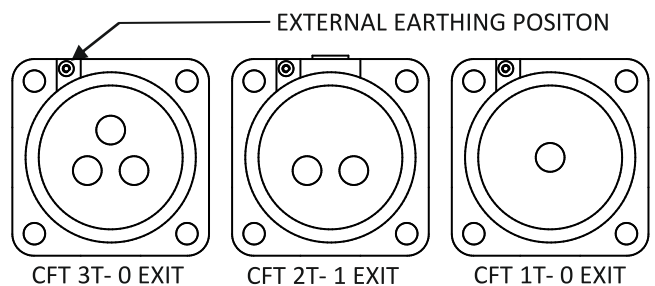
FIG 2. MOUNTING PAD



PART LIST FOR FIG. 1

S/N	DESCRIPTION	MATERIAL	QTY
1.	BODY CFT	ALUMINIUM	1
2.	TERMINAL BOX COVER	ALUMINIUM	1
3.	M12 TERMINAL ASSEMBLY	—	—
4.	RETAINING DEVICE	—	1
5.	GROUND TERMINAL	S.S 316	2
6.	COVER ASSEMBLY SCREW	S.S 316	4
7.	SHORTING LINK	COPPER	2
8.	MODEL LABEL	ALUMINIUM	1
9.	SEALING O-RING	NBR	1

FIG 3. TERMINAL POSITION



GENERAL NOTES :

1. All dimensions except mountings are shown for reference only.
2. Mounting pad is shown for reference only.
3. Actual dimensions should be determined by the Customer.



SUKRUT ELECTRIC CO. PVT. LTD.

Plot No. Pap-B-63, MIDC Chakan Industrial Area Phase - II, Village Bhamboli, Taluka Khed District Pune 410 501, Maharashtra, India.

Mobile : +91 75077 78841 / 75077 78842

Email : marketing@sukrutelectric.com

Web : www.sukrutelectric.com

